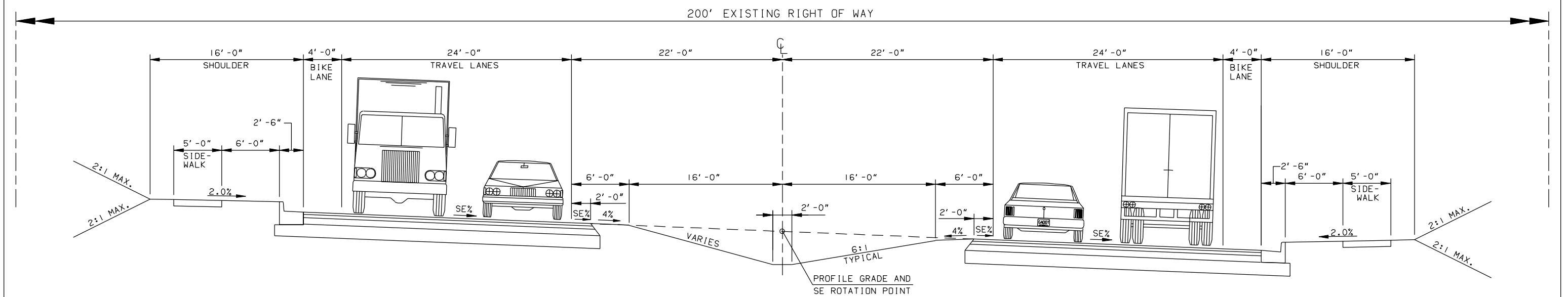


TYPICAL SECTION NO. 1A

EAGLE'S LANDING PARKWAY
4-LANE TANGENT SECTION



TYPICAL SECTION NO. 1B

EAGLE'S LANDING PARKWAY
4-LANE SUPERELEVATION SECTION

CONCEPTUAL TYPICAL SECTIONS
EAGLE'S LANDING PARKWAY

PROJECT NO. STP-0002-00(638)
PI NO. 0002638
HENRY COUNTY, GEORGIA

MARCH 2005